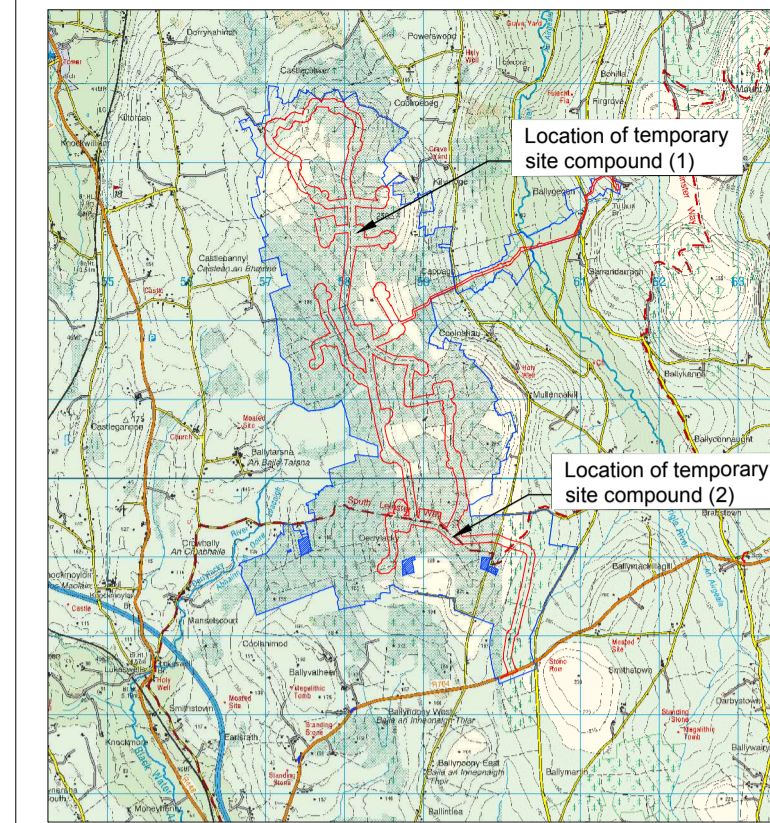


**CONTRACTORS COMPOUND - LAYOUT PLAN**  
SCALE 1:250



**KEYPLAN**  
NTS

**NOTES:**

1. DRAWINGS FOR PLANNING PURPOSES ONLY.
2. FIGURED DIMENSIONS ONLY TO BE TAKEN FROM THIS DRAWING.
3. GRID REFERENCES TO IRISH NATIONAL GRID.
4. ALL LEVELS SHOWN RELATE TO ORDNANCE SURVEY DATUM AT MALIN HEAD

Rev	Date	Description	By	Chkd.
A	18.12.20	PLANNING ISSUE	MN	JS

Client:  
**SPRINGFIELD RENEWABLES LTD.**

Project:  
**CASTLEBANNY WIND FARM**

Title:  
**PROPOSED TEMPORARY SITE COMPOUND & ELEVATIONS**

Scale @ A1: **As Shown**

Prepared by: **Checked:**

M. Nolan **J. Staunton** December 2020

Project Director: **D. Grehan**

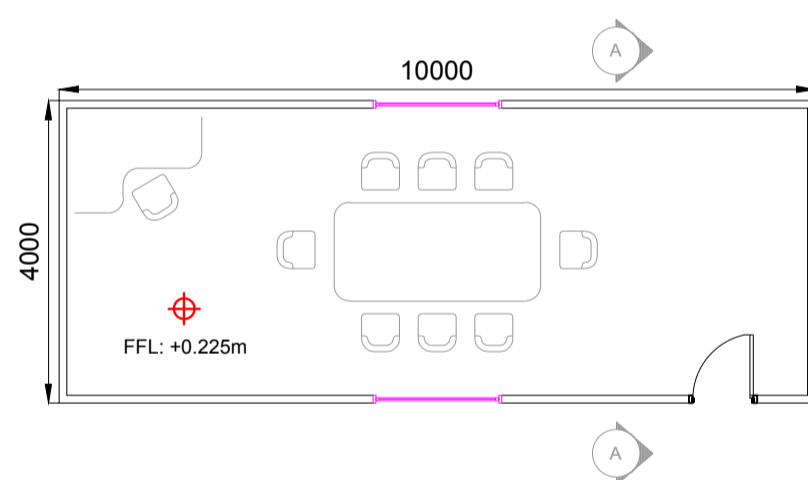
Drawing Status: **Planning**

**TOBIN**  
CONSULTING ENGINEERS

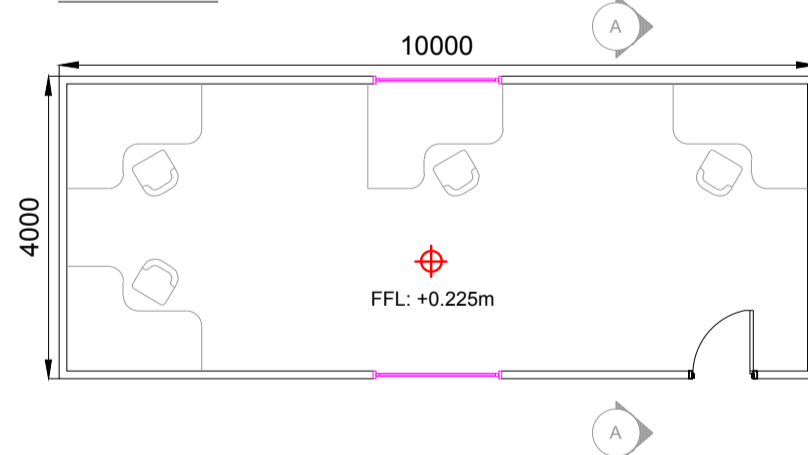
Block 10-4, Blanchardstown Corporate Park,  
Dublin 15, Ireland.  
tel: +353-(0)1-8030406  
fax: +353-(0)1-8030409  
e-mail: dublin@tobin.ie  
www.tobin.ie

Tobin Consulting Engineers will not be liable for any use of this document for any purpose other than that for which it was originally prepared and intended. Enquiries, where specifically noted, should be referred to Tobin Consulting Engineers. Copyright reserved. No part of this document may be reproduced or transmitted in any form and this document shall not be relied upon by any third party for any purpose.

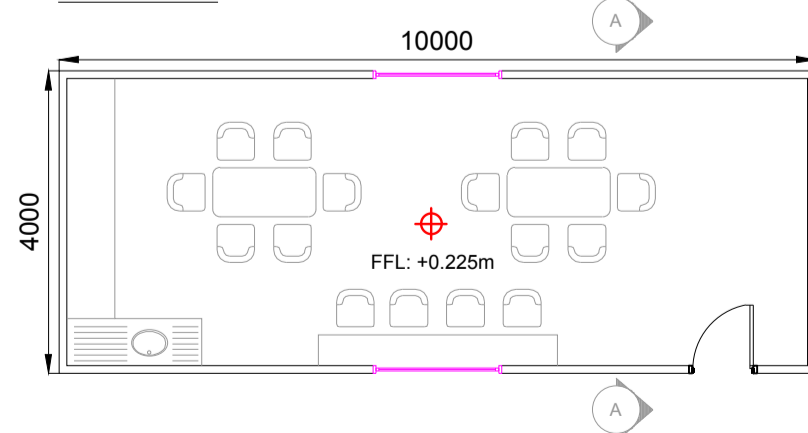
Drawing No.: **10730-2030** Revision: **A**



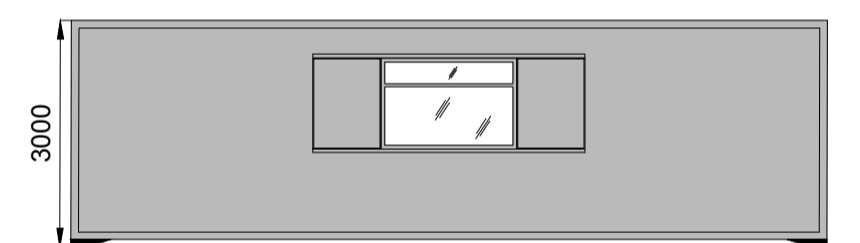
**10m x 4m MEETING ROOM - FLOOR PLAN**  
SCALE 1:100



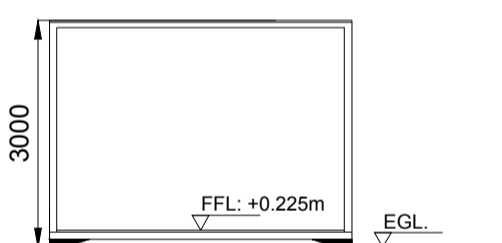
**10m x 4m MEETING ROOM - FRONT ELEVATION**  
SCALE 1:100



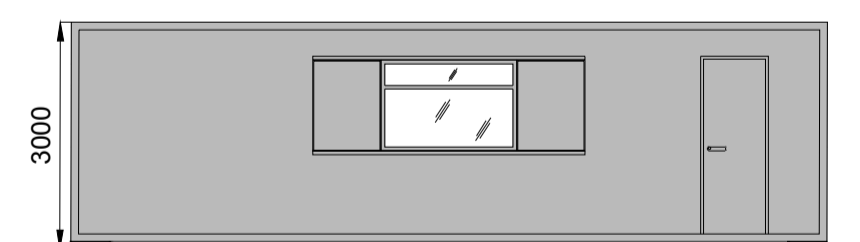
**10m x 4m SITE OFFICE - FLOOR PLAN**  
SCALE 1:100



**TYPICAL 10m x 4m UNIT - REAR ELEVATION**  
SCALE 1:100



**TYPICAL 10m x 4m UNIT - SECTION A-A**  
SCALE 1:100



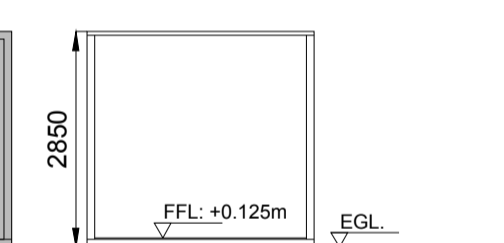
**TYPICAL 10m x 4m UNIT - FRONT ELEVATION**  
SCALE 1:100



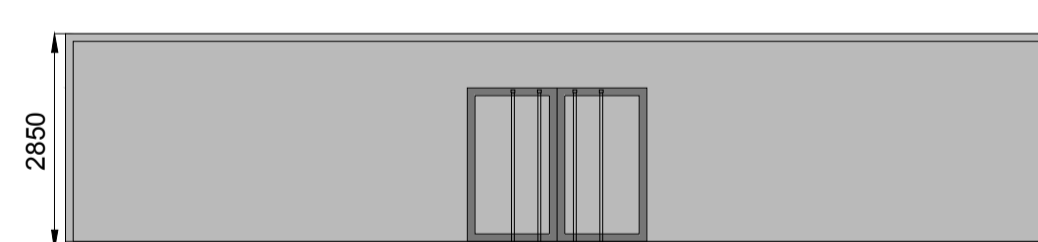
**TYPICAL 10m x 4m UNIT - SIDE ELEVATION**  
SCALE 1:100



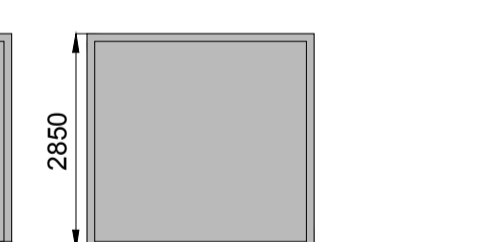
**TYPICAL STORAGE UNIT - REAR ELEVATION**  
SCALE 1:100



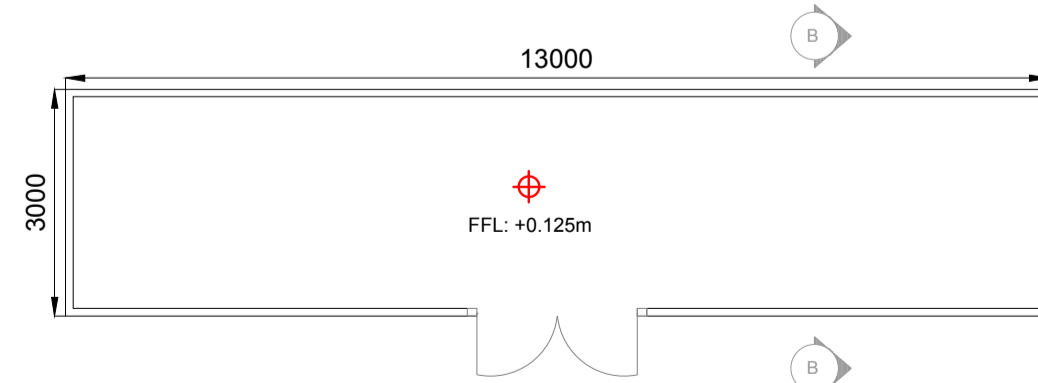
**TYPICAL STORAGE UNIT SECTION B-B**  
SCALE 1:100



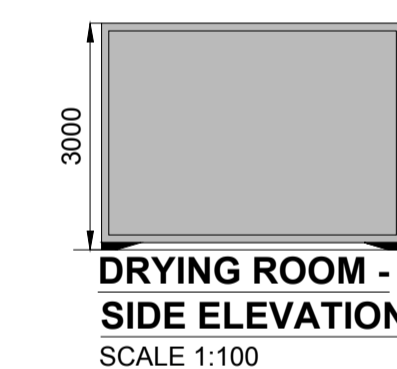
**TYPICAL STORAGE UNIT - FRONT ELEVATION**  
SCALE 1:100



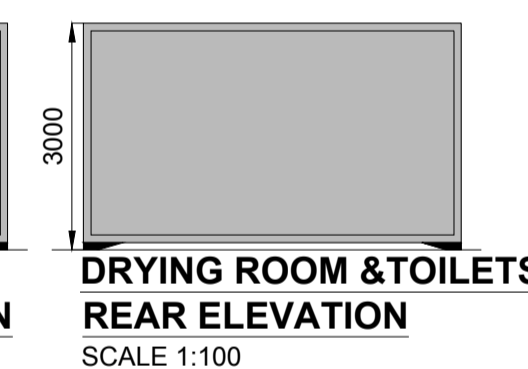
**TYPICAL STORAGE UNIT SIDE ELEVATION**  
SCALE 1:100



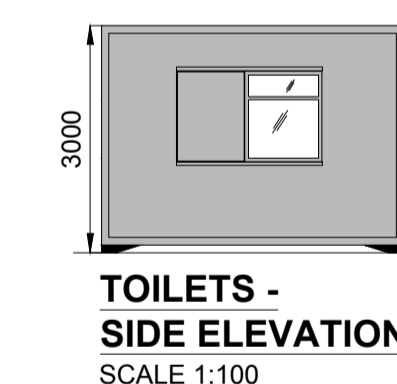
**TYPICAL STORAGE UNIT - PLAN**  
SCALE 1:100



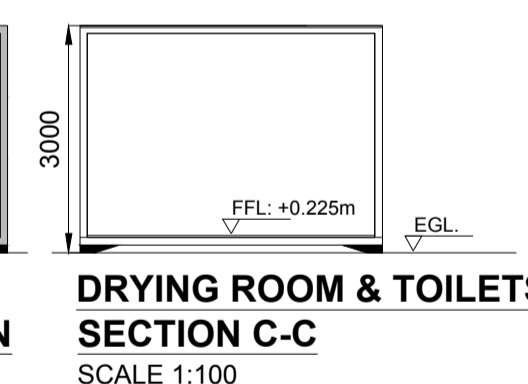
**DRYING ROOM - SIDE ELEVATION**  
SCALE 1:100



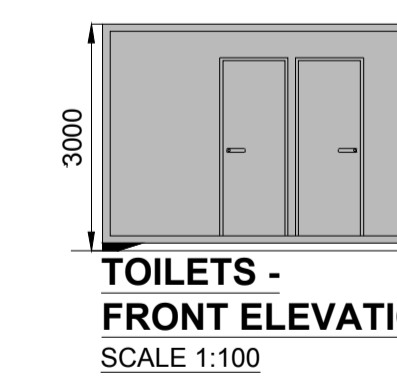
**DRYING ROOM & TOILETS - REAR ELEVATION**  
SCALE 1:100



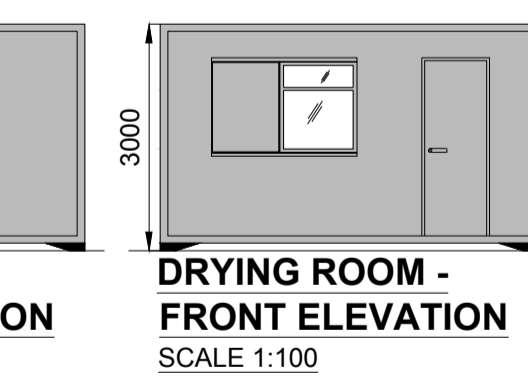
**TOILETS - SIDE ELEVATION**  
SCALE 1:100



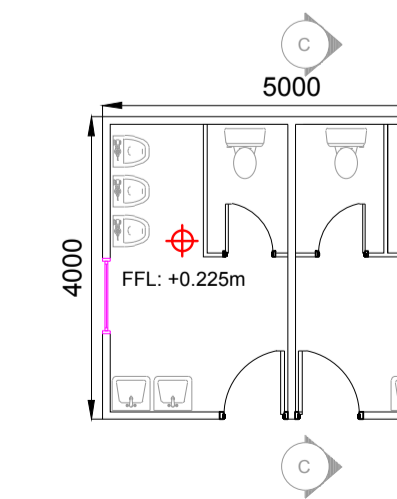
**DRYING ROOM & TOILETS - SECTION C-C**  
SCALE 1:100



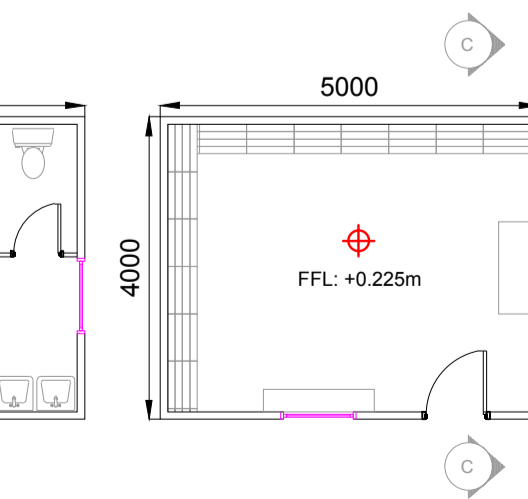
**TOILETS - FRONT ELEVATION**  
SCALE 1:100



**DRYING ROOM - FRONT ELEVATION**  
SCALE 1:100



**TOILETS - FLOOR PLAN**  
SCALE 1:100



**DRYING ROOM - FLOOR PLAN**  
SCALE 1:100